



**VISTA
PROFESSIONAL
OUTDOOR
LIGHTING**

Type: _____

Model: _____

Project: _____

SPECIFICATION SHEET

MODEL: 5241 - 12V SERIES: In-Ground and Well Lights

SPECIFICATIONS:

HOUSING:

Black silicone rubber lamp holder suspended inside a 5" black ABS well.

FINISH:

Available in Black only.

SOCKET/LAMP HOLDER:

Socket not required. Fixture supplied with high-temperature rated screw terminal spade connectors.

LENS:

Lens cover ordered separately, but not required.

LAMP TYPE:

PAR-36 – 50W maximum. LNH-35 WFL Halogen (35W) Standard.

OPTICS/AIMING:

Adjustable lamp bracket provides up to $\pm 25^\circ$ of tilt as well as 360° rotation of the housing for precise beam control. Lamp bracket can be locked into place to prevent disrupting lamp position when relamping. Models with housing brackets within the ABS wells provide up to $\pm 45^\circ$ of tilt in addition to the lamp bracket.

MOUNTING:

In-grade. Mounting accessories not required.

FASTENERS:

All fasteners are stainless steel.

WIRING:

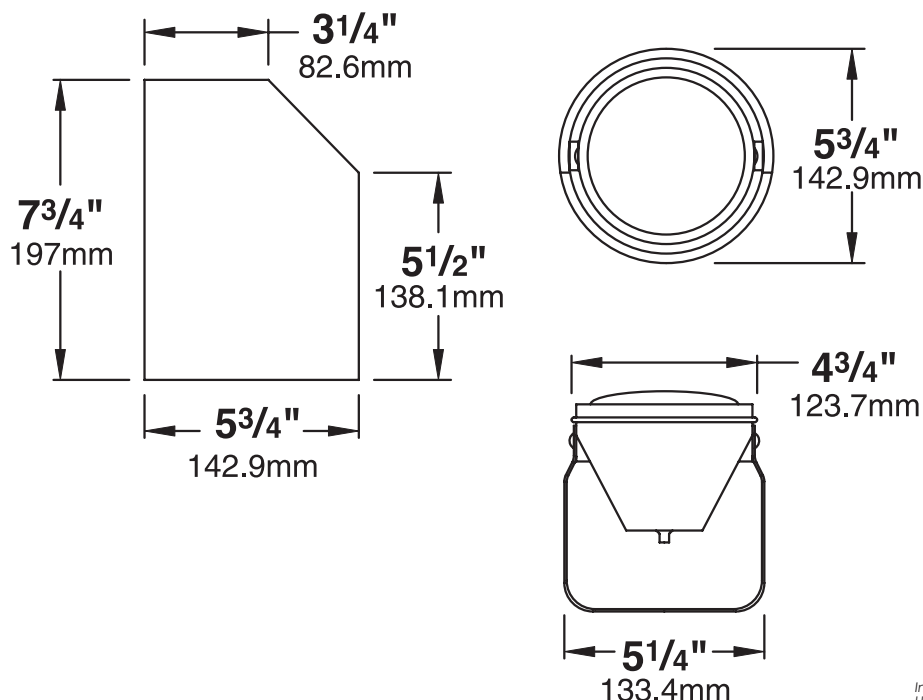
Prewired with a three-foot pigtail of 18-2 direct-burial cable and underground connectors for a secure connection to the supply cable.

CERTIFICATION:

UL Listed to U.S. and Canadian safety standards for low voltage landscape luminaires (UL 1838). The maximum wattages allowed by Underwriters Laboratories (UL) for the U.S. and Canadian markets may vary. Maximum wattages specified are Underwriters Laboratories U.S. standard. Please contact Vista for any questions about the maximum wattages allowed by UL Canadian standards.

All Vista luminaires are **MADE IN THE U.S.A.**

DIMENSIONS:



In an effort to improve product design U.S.T.E., Inc. reserves the right to modify the specifications of this fixture.

1625 Surveyor Avenue • Simi Valley, CA 93063 • (805) 527-0987 • (800) 766-VISTA (8478)

FAX: (888) 670-VISTA (8478) • email@vistapro.com • www.vistapro.com



FIXTURE ORDERING INFORMATION

TO ORDER FIXTURE: Select appropriate choice from each column as in the following example

EXAMPLE: GW-5241-B-H35 WFL-DL

MOUNTING	CATALOG NO.	FINISH	LAMP	ACCESSORIES
GW - In-grade	5241	B - Black	(Please see lamp order code column on lamp guide, Vista product catalog.)	CL - Clear tempered lens cover DL - Directional Grate cover BD - Bi-directional grate cover

Fixtures shipped with standard lamp, unless otherwise specified.